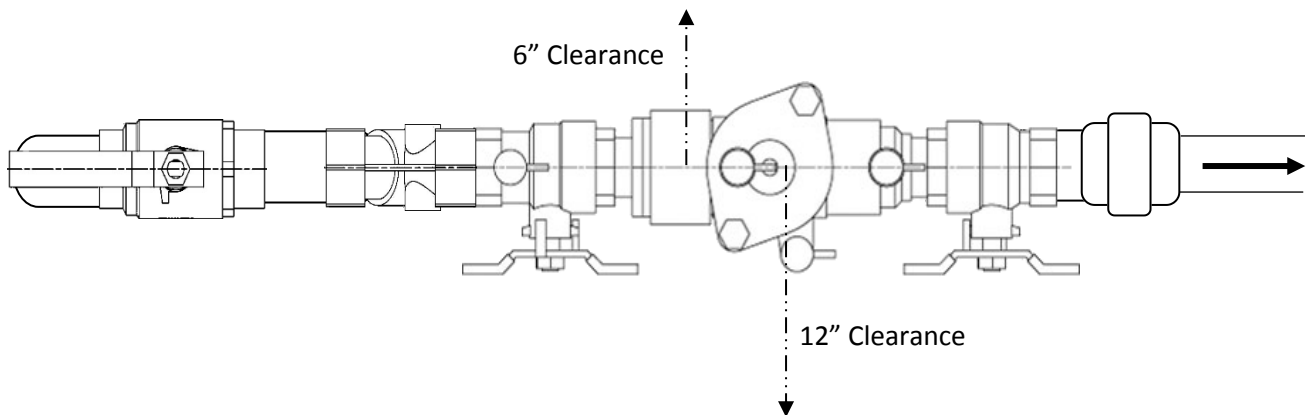
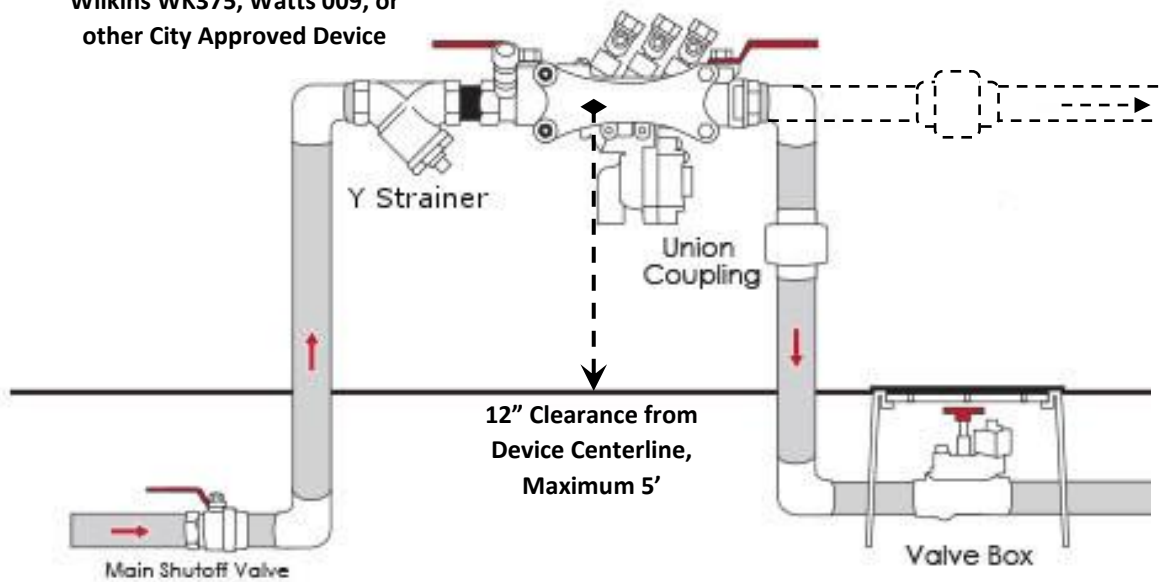


Wilkins WK375, Watts 009, or
other City Approved Device



**Note: 6" of clearance on the back side, and 12" of clearance on the control valve side is required.
If located outside, freeze protection must be provided.**

12" of clearance from device centerline must be provided underneath the device.

Any exemptions must be approved by the Public Works Director.



City of Red Oak
Public Works
Department

**1/2", 3/4", 1", 1 1/2", & 2" Reduced Pressure Zone
Backflow Prevention Assembly Installation**

Public Works Department
411 W Red Oak Road
Building D
972-576-3414