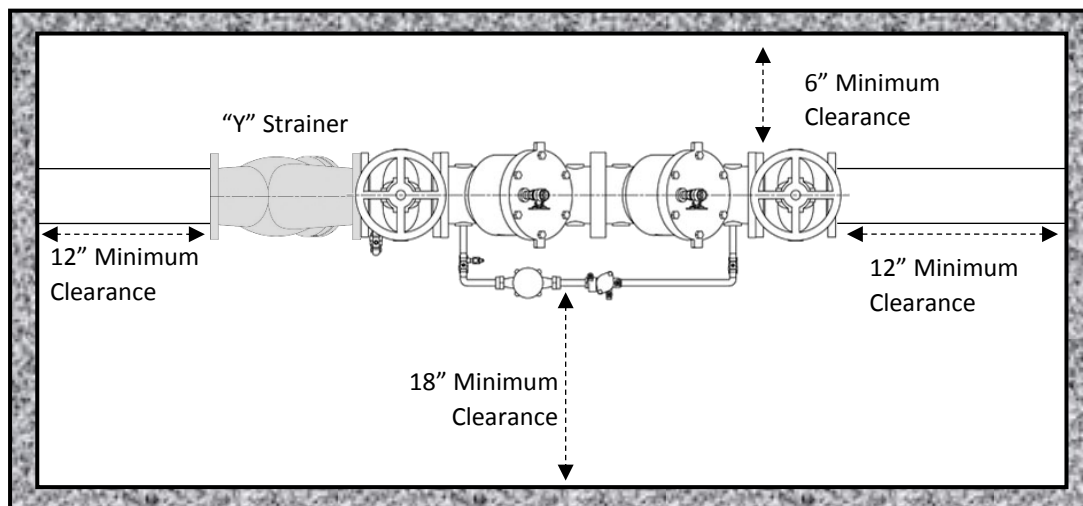


Side View



Arial View

Note: 6" of clearance on the back side, and 18" of clearance on the test port side from device is required. 12" Clearance on both sides of device required.

Brass caps to be installed in test ports in all underground installations.

If pit is deeper than 4', a ladder must be installed for access.

Vault lid to be 2" above final grade, and no more than 6".

Any exemptions must be approved by the Public Works Director or his/her Designee.



City of Red Oak
Public Works
Department

2 ½" – 10" Double Check Detector Backflow
Prevention Assembly Installation
Horizontal

Public Works Department
411 W Red Oak Road
Building D
972-576-3414